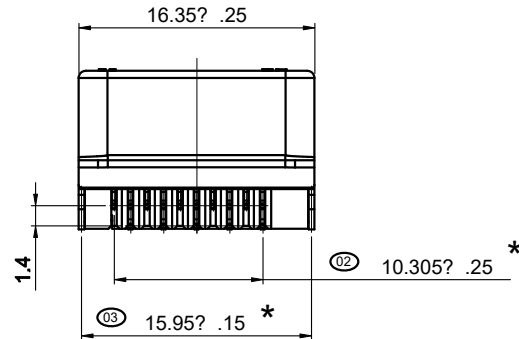
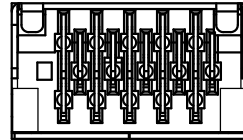
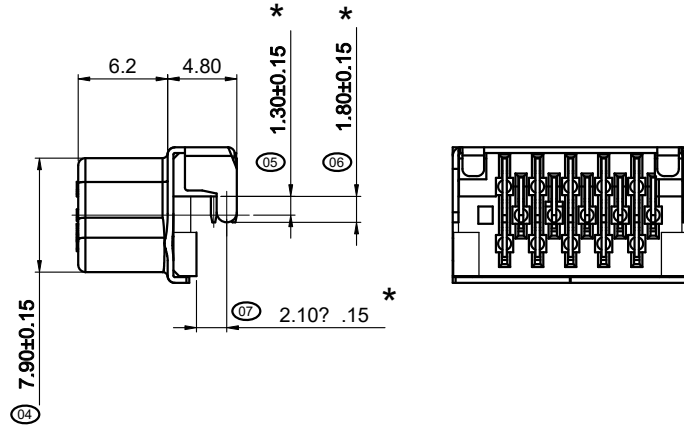
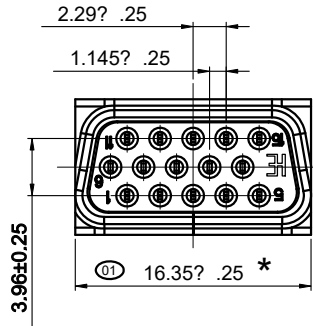


Recommend PCB Layout
 PCB Thickness:1.20mm.
 PCB Layout Tolerance:?.05mm.



SPECIFICATION:
 ELECTRICAL CHARACTERISTICS
 CONTACT CURRENT RATING:3A
 CONTACT VOLTAGE RATING:250V AC
 DIELECTRIC WITHSTANDING VOLTAGE:500V AC RMS.
 INSULATION RESISTANCE:5000 Megohms MIN.
 CONTACT RESISTANCE:30mΩ MAX.
 TEMPERATURE RANGE:-55癬 TO +105癬
 MECHANICAL:
 INSERTION FORCE:3.5Kg MAX.
 WITHDRAWAL FORCE:0.5Kg MIN.
 DURABILITY:5,000 CYCLES

6			
5			
4			
3	SHELL	SPCC	PLATING:Cu:100u",Ni:30u"
2	CONTACT	Copper Alloy T=0.3mm	
1	HOUSING	LCP	BLACK UL 94V-0
NO.	PART NAME	MATERIAL	DESCRIPTION

HE 东莞市旭明电子有限公司			
TITLE:	VGA短体母座, 反向CL=-1.3mm		
PART NO.	DBC0088-100	CUSTOMER NO(REV)	UNIT:mm
FILE NAME	080913-03	SHEET: 1 of 1	SCALE: 1:2 A4

B	17/06/16	更新图面	Wyl	Dave	0	? .25	DESIGN		
A	06/12/19	更新图面	CHI	CAPTAIN	0.0	? .20		CHECK	
0	08/09/13	NEW	CAPTAIN	CAPTAIN	0.00	? .15	APPRO.		
REV	DATE	DESCRIPTION	NAME	APPRO.	GENERAL TOLERANCE UNLESS OTHERWISE NOTED				